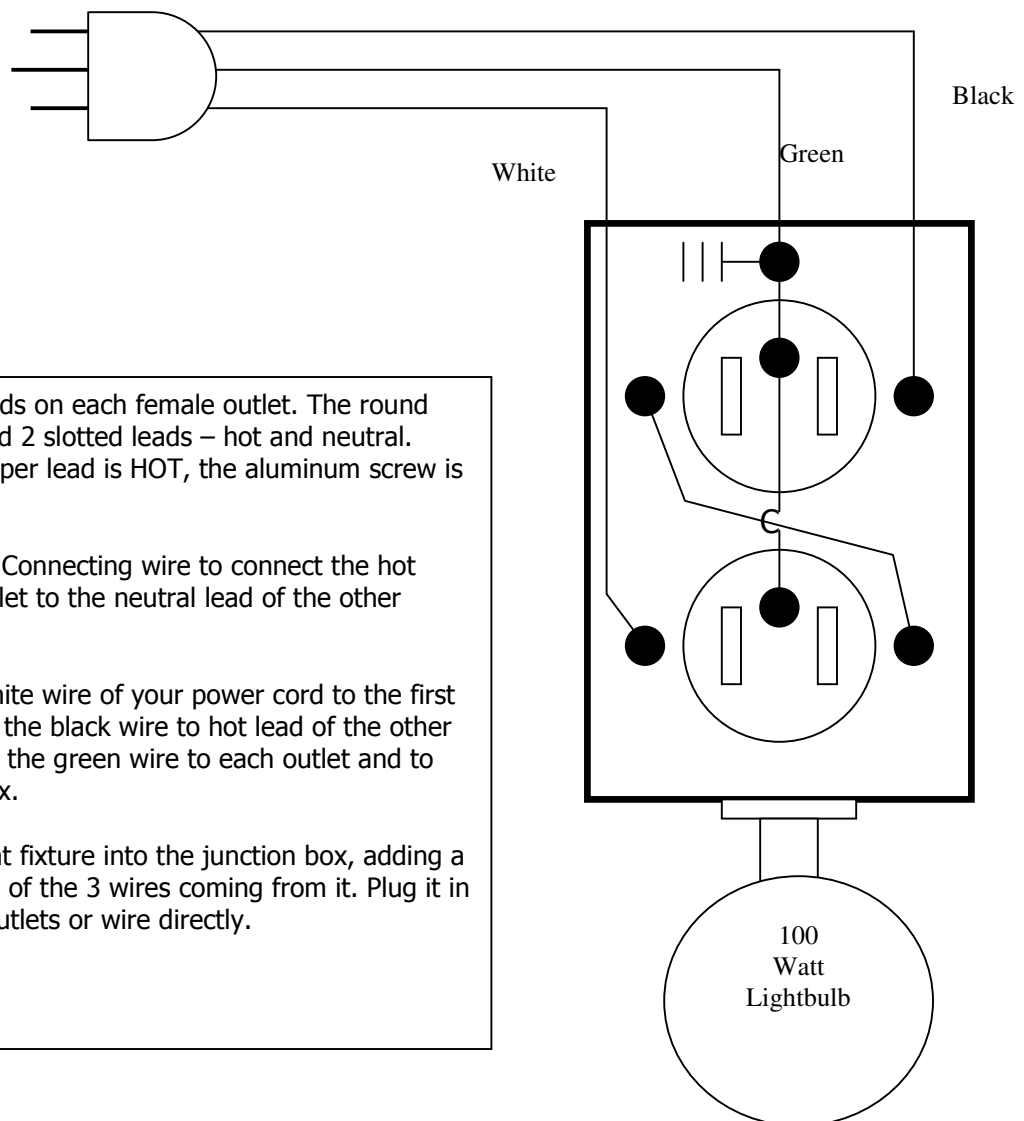


Build a Current Limiter

Parts List:

- A. 3 feet of 3 wire, grounded AC power cord, with a 3-prong connector end.
- B. Double junction box
- C. 2 SINGLE, 120v female outlet. Double outlets won't work because they are already set up in parallel.
- D. 1 light bulb fixture
- E. 1 100 watt light bulb
- F. 18 gauge connecting wire



There are 3 leads on each female outlet. The round ground lead and 2 slotted leads – hot and neutral. Usually the copper lead is HOT, the aluminum screw is neutral.

Use the 18-ga. Connecting wire to connect the hot lead of one outlet to the neutral lead of the other outlet.

Connect the white wire of your power cord to the first outlet, connect the black wire to hot lead of the other outlet. Connect the green wire to each outlet and to the junction box.

Install your light fixture into the junction box, adding a Plug to the end of the 3 wires coming from it. Plug it in to one of the outlets or wire directly.

You're done!